

Technical Bulletin

Model
6 Cyl.

Group
8

Subject

New A/C Lines and Rubber Mounts

Part Identifier
8743/45

Number
9601

ATTENTION: Service Manager / Service Technician

Models Affected: *All 911 Carrera Model Years 1995 and 1996
911 Turbo Model Year 1996*

Concern: Corrosion on the A/C lines at the rubber mounts in the rocker panel area.

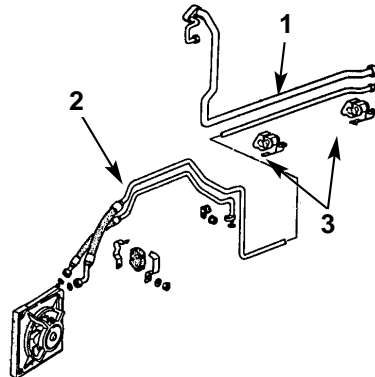
General Information: As of September 29, 1995, new version A/C lines and rubber mounts designed to prevent corrosion have been installed. The new lines have been installed as of the following VIN's:

- 997TS 320553 Coupe
- 994TS 340459 Cabriolet
- 992TS 385078 Targa
- 99XTS 375640 Turbo

Repair Information: Should replacement of the A/C line(s) become necessary, only the new version line(s) and mounts should be used. It is not necessary to replace both A/C lines unless both lines are leaking, however, replacement of both rubber mounts is necessary anytime either or both of the A/C lines require replacement.

Parts Information:

993 573 092 02	A/C line	Arrow 1
993 573 107 02	A/C line	Arrow 2
993 573 463 02	Mount (qty 2)	Arrow 3



Important Notice: Porsche Cars N.A Technical Bulletins are intended for use by professional technicians, not a "Do-it-yourselfer." They are written to inform these technicians of conditions that may occur on some vehicles, or to provide information that could assist in the proper service of a vehicle. Special tools may be required to perform certain operations identified in these bulletins. Use of tools and procedures other than those recommended in these bulletins may be detrimental to the safe operation of your vehicle. Properly trained technicians have the equipment, tools, safety instructions and know-how to do a job properly and safely. If a condition is described, do not assume that the bulletin applies to your vehicle, or that your vehicle will have that condition. See your Porsche Dealer for information on whether your vehicle may benefit from the information. Part numbers listed in these bulletins are for reference only. Always check with your authorized Porsche dealer to verify correct part numbers. ©1996 Porsche Cars North America, Inc.

Dealership	Service Manager _____	Shop Foreman _____	Service Technician _____	_____	_____	_____
Distribution	Asst. manager _____	Warranty Admin. _____	Service Technician _____	_____	_____	_____
Routing						

The trademarks Porsche®, Targa®, Carrera®, Tiptronic®, Varioram® and the Porsche Crest are registered trademarks of Dr. Ing. h.c.F. Porsche AG and its affiliate, Porsche Cars North America, Inc.

©1996 Porsche Cars North America, Inc. All rights reserved. Cannot be reproduced without written permission. Service & Parts Publications.



SERVICE

Page 1 of 1
May 30, 1996

PORSCHE CARS NORTH AMERICA INC.